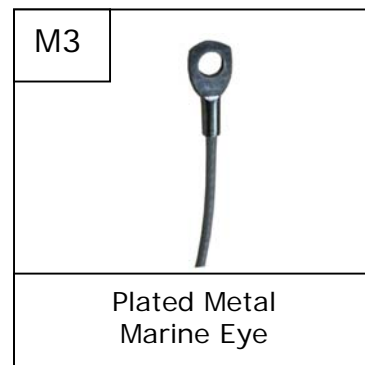
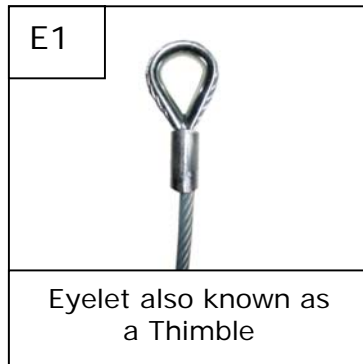


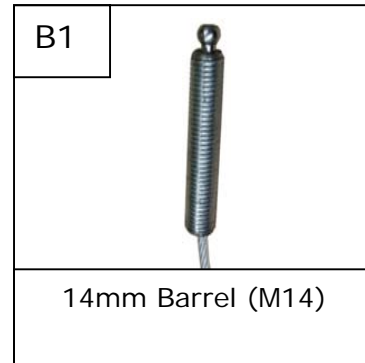
Gym Cable Wire Rope End Fitting Identification

Please note: that for the ease of placing your order we will use an **End Fitting Code** to simplify the identification of your Wire Fitting. If you are still at all unsure then please **Tel:** +44 (0) 1656 729846 or **Email:** technical@expertfitnessuk.com

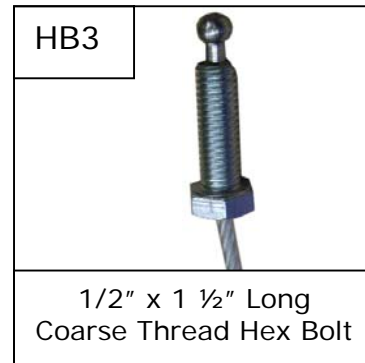
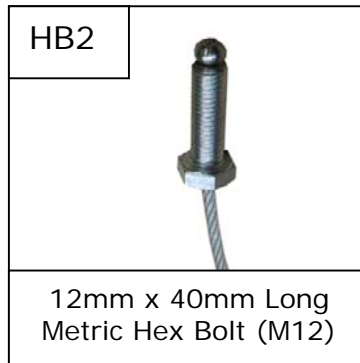
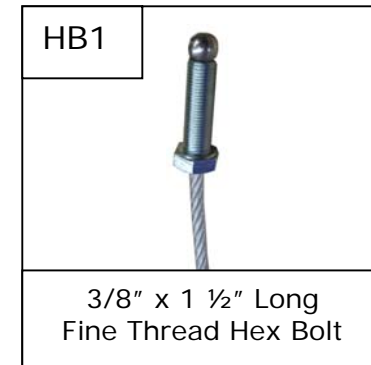
Wire Rope Fittings: There are many types of Wire Rope Fittings used throughout the Fitness Industry for Gym Equipment Cabling. With Gym Equipment being manufactured in different parts of the world and then imported into the UK it's easy to see why there are so many types of End Fitting being used. Below is a selection of [Gym Cable Wire Rope](#) fitted with [Eyelet](#), [Marine Eye](#), [Barrel](#), [Swage End](#), [Stop](#), [Ball Shank](#), [Rubber Ball](#) and [Hex Bolt](#)



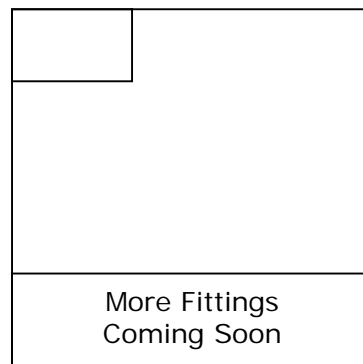
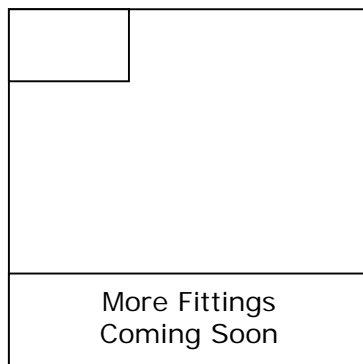
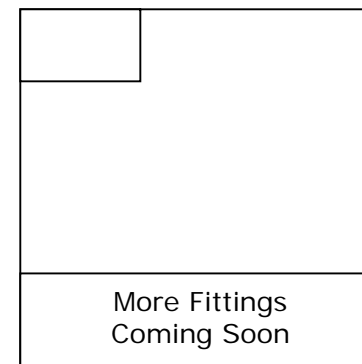
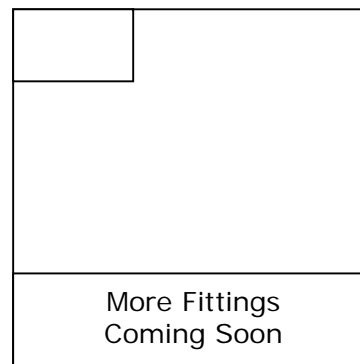
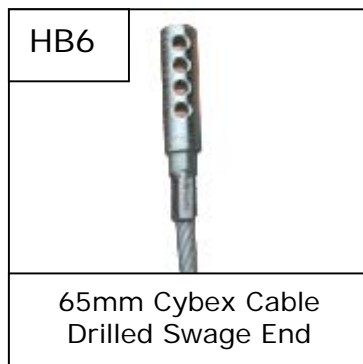
Gym Cable Wire Rope End Fitting Identification



Gym Cable Wire Rope End Fitting Identification



Gym Cable Wire Rope End Fitting (New Updates)



Please Note:
If you require a Nut fitted to a Bolt, or a Washer added to a Large Hole Marine Eye or Rubber Ball etc please let us know by inserting a message into the " Add a message here" section of the Order Page. We will fit Free of Charge